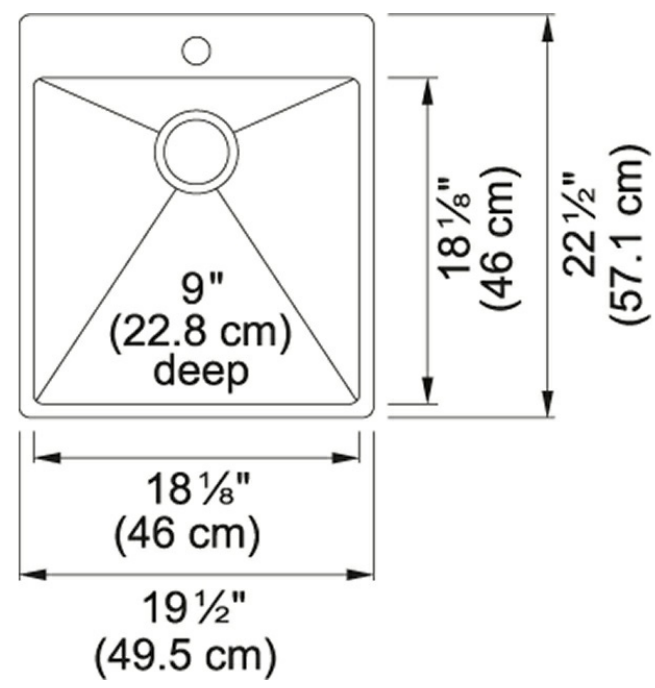


# Vector HTS2022-1KIT Stainless Steel

Product Picture



Technical Drawing



Product Dimensions

Length overall	19 1/2"
Width overall	22 1/2"
Length of large bowl	18 1/8"
Width of large bowl	18 1/8"
Depth of large bowl	9 1/16"
Minimum Cabinet Size	21 5/8"

General Information

Type of Material	Stainless Steel
Number of Bowls	1
Faucet Hole	3
Installation Clips	Yes

Article Numbers

FUN#	127.0556.470
US Part Number	HTS2022-1KIT

